



RTV servis Horvat

Tel: ++385-31-856-842

Tel/fax: ++385-31-856-139

Mob: 098-788-319

www.rtv-horvat-dj.hr

3 CD CHANGER MINI MINI COMPONENT

MAX-B550

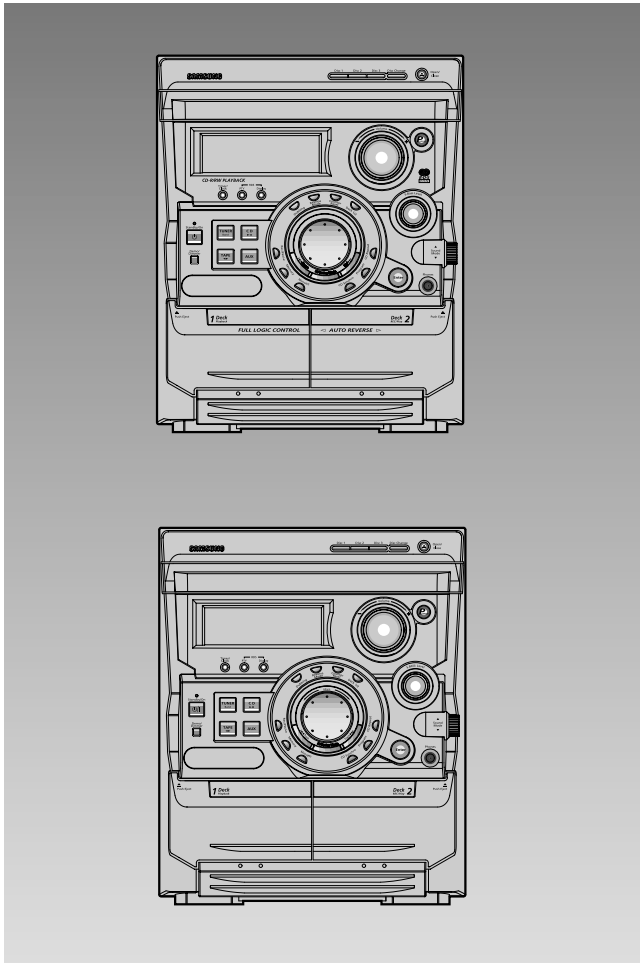
MAX-B570

MAX-B555

MAX-ZB550

***SERVICE* Manual**

MIMI MIMI COMPONENT SYSTEM

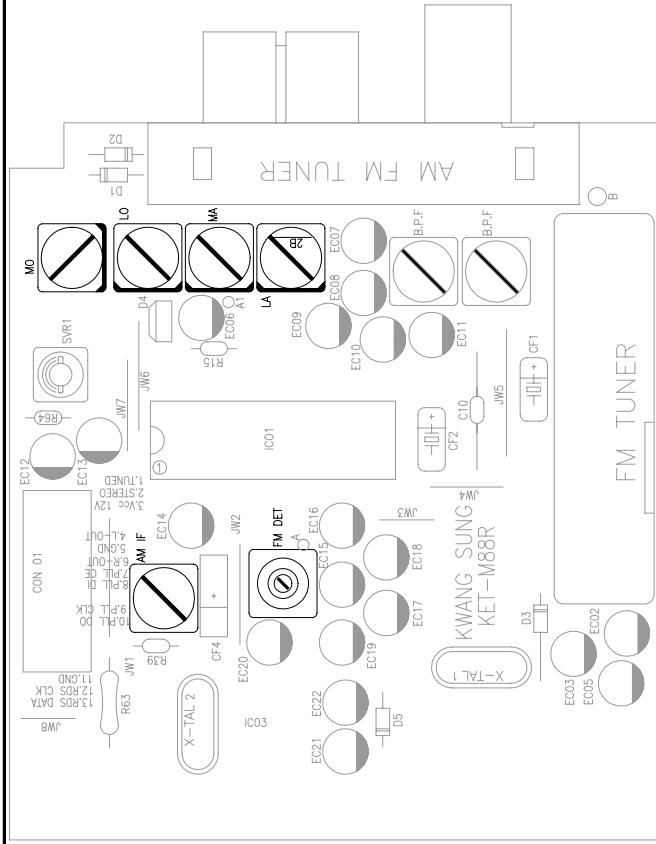


CONTENTS

- 1. Alignment and Adjustments**
- 2. Exploded Views and Parts List**
- 3. Electrical Parts List**
- 4. Block Diagrams**
- 5. PCB Diagrams**
- 6. Wiring Diagram**
- 7. Schematic Diagrams**

1. Alignment and Adjustments

1-1. Tuner



* Adjustment Location of Tuner PCB

ITEAM	AM(MW) OSC	AM(MW) RF	LW OSC	AM(MW) RF	SW1 OSC	SW1 RF	SW2 OSC	SW2 RF
Received FREQ.	522-1611 KHz	594 KHz	146-280 KHz	150 KHz	2.3-7.3 MHz	3.5MHz	9.5-26.1MHz	10MHz
Adjustment point	MO	MA	LO	LA	LO	MA	LO	MA
Output	1-7.0u1.5V	Maximum Output (Fig1-4)	2-7.0u1.5V	Maximum Output (Fig1-4)	1-8V±1V	Maximum Output (Fig1-4)	1-8V±1V	Maximum Output (Fig1-4)

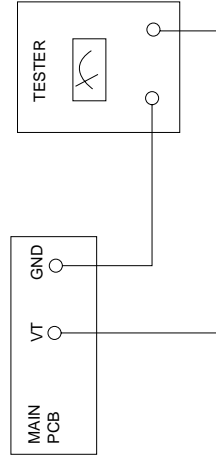


Fig 1-4 OSC Voltage

FM THD Adjustment	
SSG FREQ.	98 MHz
Adjustment point (FM DET)	FM DETECTOR COIL
Output	60 dB
Minimum Distortion (0.4% below) (Figure 1-1)	

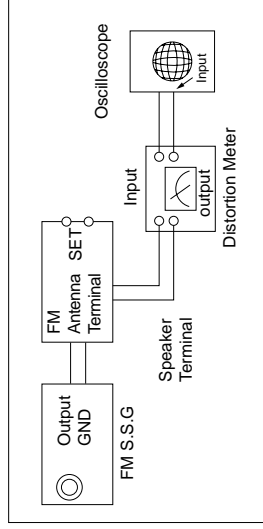


Figure1-1 IF CENTER and THD Adjustment

FM Search Level Adjustment	
SSG FREQ.	98 MHz
Adjustment point (SVR1)	BEACON SENSITIVITY SEMI-VR(10KΩ)
Output	28 dB(±2dB)
Adjust SVR1 so that "TUNED" of FLT is lighted (Figure 1-2)	

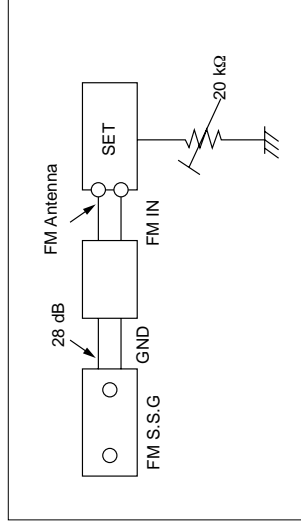


Figure1-2 FM Auto Search Level Adjustment

AM(MW) I.F. Adjustment	
SSG FREQ.	450 kHz
Frequency	522 kHz
Adjustment point	AM IF
Maximum output (Figure 1-3)	

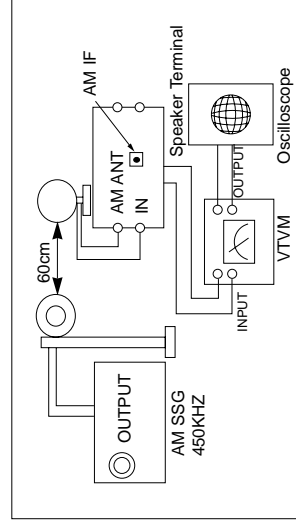


Figure1-3 AM I.F. Adjustment

1-1-2 AM(MW), LW, SW1, SW2 Adjustment

Circuit to be Adjusted	Measuring Instrument & Arrangement	Step	S.S.G Frequency	Radio dial Setting	Adjusting Point	Adjust for
AM (MW)	Connect AM signal generator to loop antenna, VTVM AND oscilloscope (Fig 1-3)	1	522KHz	522KHz	MW OSC	Adjust for 1.0V±0.1V at the low. (IR117)
		2	1611KHz	1611KHz	MW OSC	Check for 7.0V±1.0V at the high. (IR117)
RF	"	1	594KHz	594KHz	MW ANT	Maximum out
INTER FREQ	"	1	455KHz	522KHz	TL2	Maximum out
LW	Fig 1-3	1		146KHz	LW OSC	Adjust for 2.0V±0.1V at the low.
		2		290KHz	LW OSC	Check for 7.0V±1.0V at the high.
RF		1	150KHz	150KHz	LW ANT	Maximum out
SW1	Fig 1-3	1		2.3MHz	SW1 OSC	Adjust for 1.0V±0.1V at the low.
		2		7.3MHz	-	Check for 8.5V±1.0V at the high.
RF		1	3.5MHz	3.5MHz	SW1 ANT	Maximum out
SW2	Fig 1-3	1		9.5MHz	SW2 OSC	Adjust for 1.5V±0.1V at the low.
		2		26.1MHz	-	Check for 8.0V±1.0V at the high.
RF		1	10MHz	10MHz	SW2 ANT	Maximum out

1-2 Cassette Deck

1-2-1 To Adjust Tape Speed

Notes

- 1) Measuring tape: i) MTT-111 (or equivalent) (Tapes recorded with 3kHz)
ii) MTT-5512 (or equivalent)
- 2) Connect the cassette deck to the frequency counter as in figure 1-4.

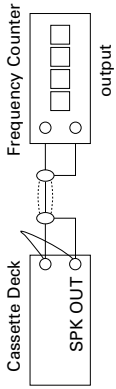


Figure 1-4

Step	Item	Pre-Setup Condition	To Adjust	Standard	Remark
1	NOR SPEED Control	OUT (connected to the frequency counter)	Turn USR1 to left and right	3KHz	

1-2-2 To Adjust PlayBack Level

Notes

- 1) Before the actual adjustment, clean the play/recording head.
- 2) Measuring tape :
i) MTT-114(or equivalent 10kHz AZIMUTH control)
ii) MTT-112(or equivalent) :
- 3) The cassette deck is connections as shown in figure 1-6.

Recording /Play head

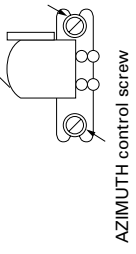


Figure 1-5

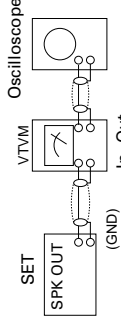


Figure 1-6

① Adjust Deck 1 Play Level

Step	Item	Pre-Setup Condition	Pre-Setup	To Adjust	Standard	Remark
1	AZIMUTH	SPK OUT (VTVM is connected to the scope)	After putting MTT-114 into Deck 1 1) Press PLAY button.	1) Turn the control screw to as shown in Figure 1-5.	Max output and same phase (both channels)	After adjustment secure it with REGION LOCK.
2	PlayBack out Level	Same as above	PLAY MTT-112 on Deck 1.	L-CH: Turn JSR2L to the right and left R-CH: fixed.	Adjust to level and same as R-CH.	See the diagram for adjustment locations.

② Adjust Deck 2 Play Level

Step	Item	Pre-Setup Condition	Pre-Setup	To Adjust	Standard	Remark
1	AZIMUTH	SPK OUT (VTVM is connected to the scope)	After putting MTT-114 into Deck 2 1) Press PLAY button.	1) Turn the control screw to as shown in Figure 1-5.	Max output and same phase (both channels)	After adjustment secure it with REGION LOCK.
2	PlayBack out Level	Same as above	PLAY MTT-150 on Deck 2.	No Adjustment	Check level and same as Deck1 level	See the diagram for adjustment locations.

Adjust REC Bias Voltage

Step	Item	Pre-Setup Condition	To Adjust	Standard	Remark
1	REC Bias Voltage	Connect to DCW2 as in Fig. 1-7 and read the VTVM.	L-CH:DSR2 and R-CH:DSR1 to the right and left.	6V	See diagram for adjustment location

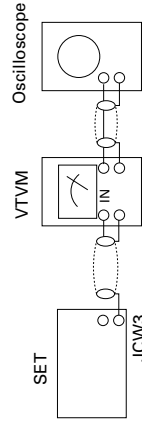
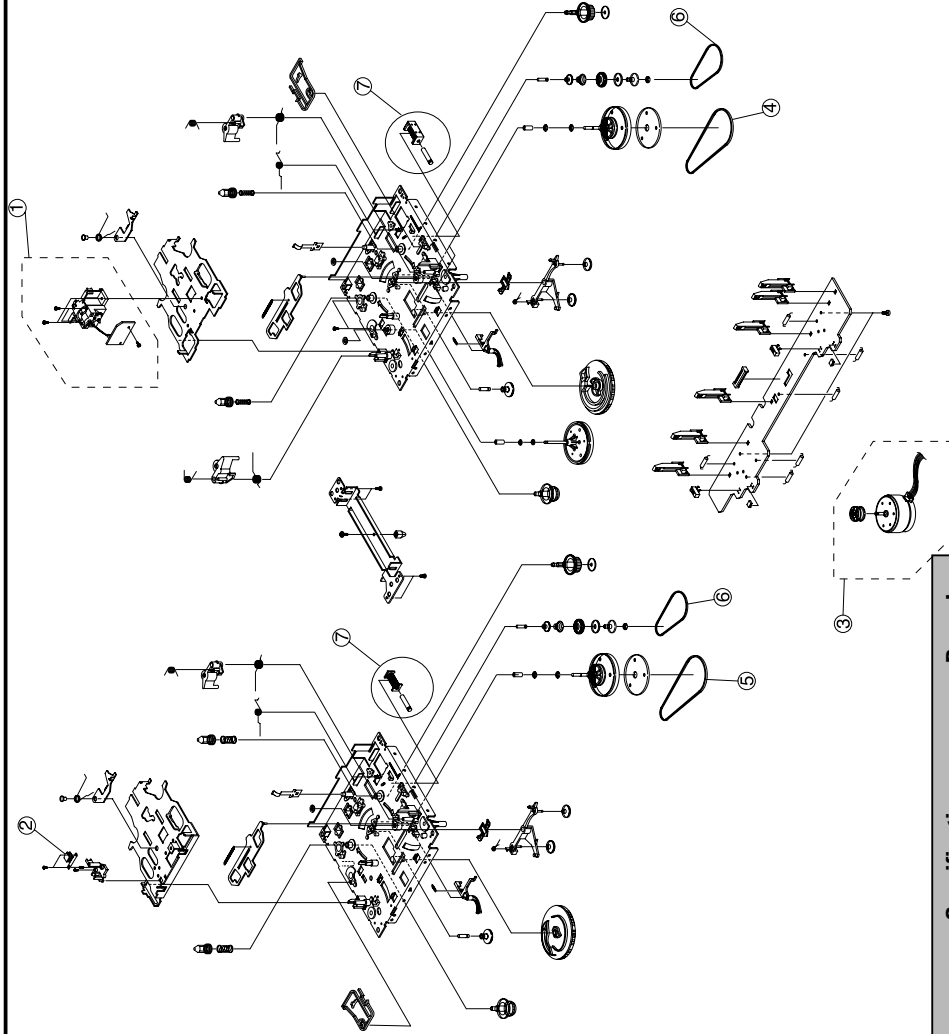


Figure 1-7

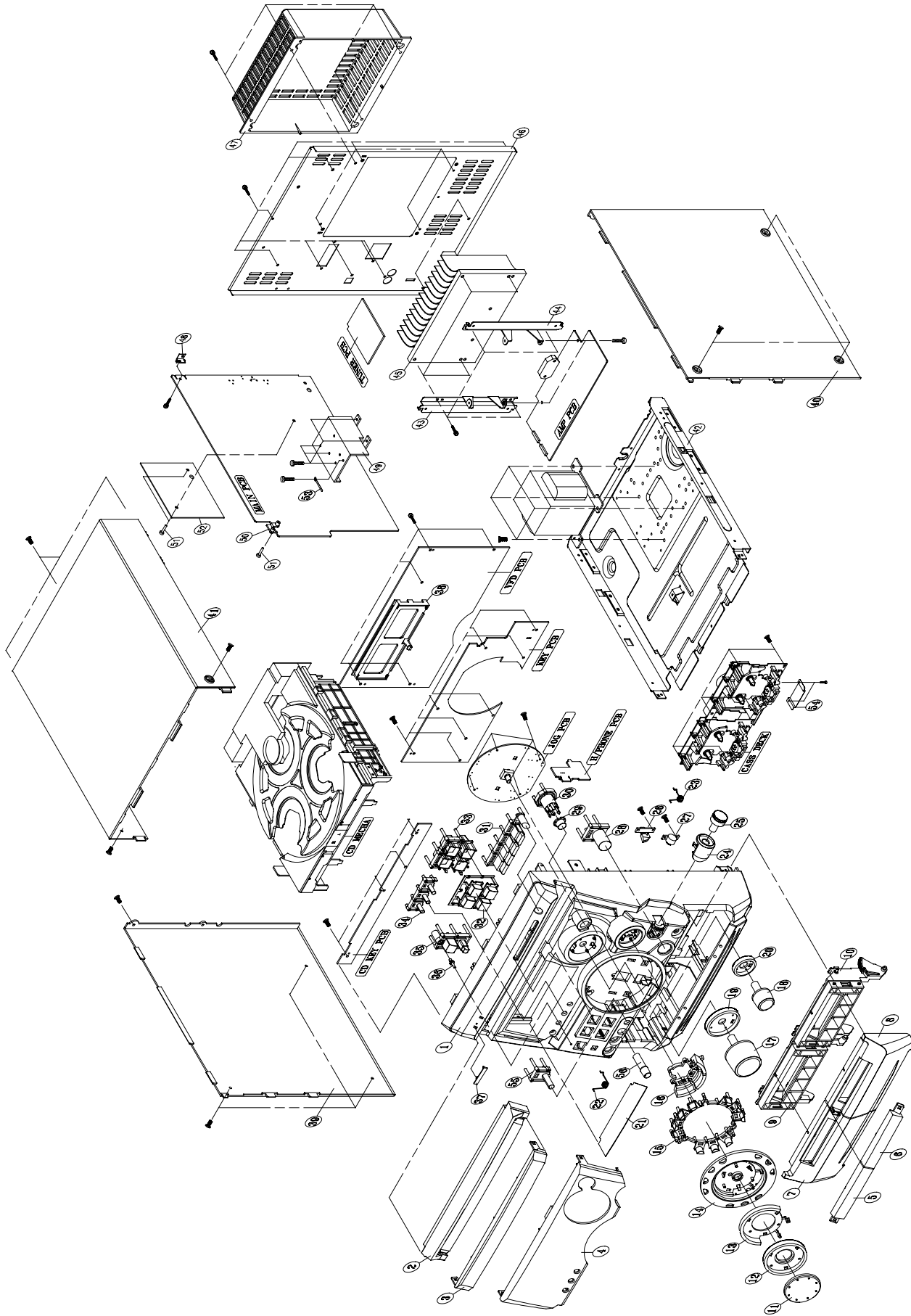
2.Exploded Views and Parts List

2-1 Cassette Deck :ADR246AMW(OPTION)



No.	Code No.	Description	Specification	Remarks
	AH59-00075A	DECK-CASSETTE	ADR246AMW	
1	AH81-00368A	ASS.Y RP HEAD	ADR2400-RP(SANKYO)	MT91-11010T
2	AH81-00141A	HEAD PB	TC881CB	MT59-00044A
3	AH81-00363A	ASS.Y MOTOR	ADR2400-SHU2L	MT91-15012J
4	AH81-00364A	BELT MAIN1	ADR2400-MAIN 0.5	6602-001056
5	AH81-00365A	BELT MAIN2	ADR2400-MAIN 1.3	6602-001057
6	AH81-00101A	BELT SUB	ADR2400-FR	6602-001055
7	AH81-00102A	SOLENOID	ADR2400-1	MT75-00049A

2-2 Total Exploded View and Parts List



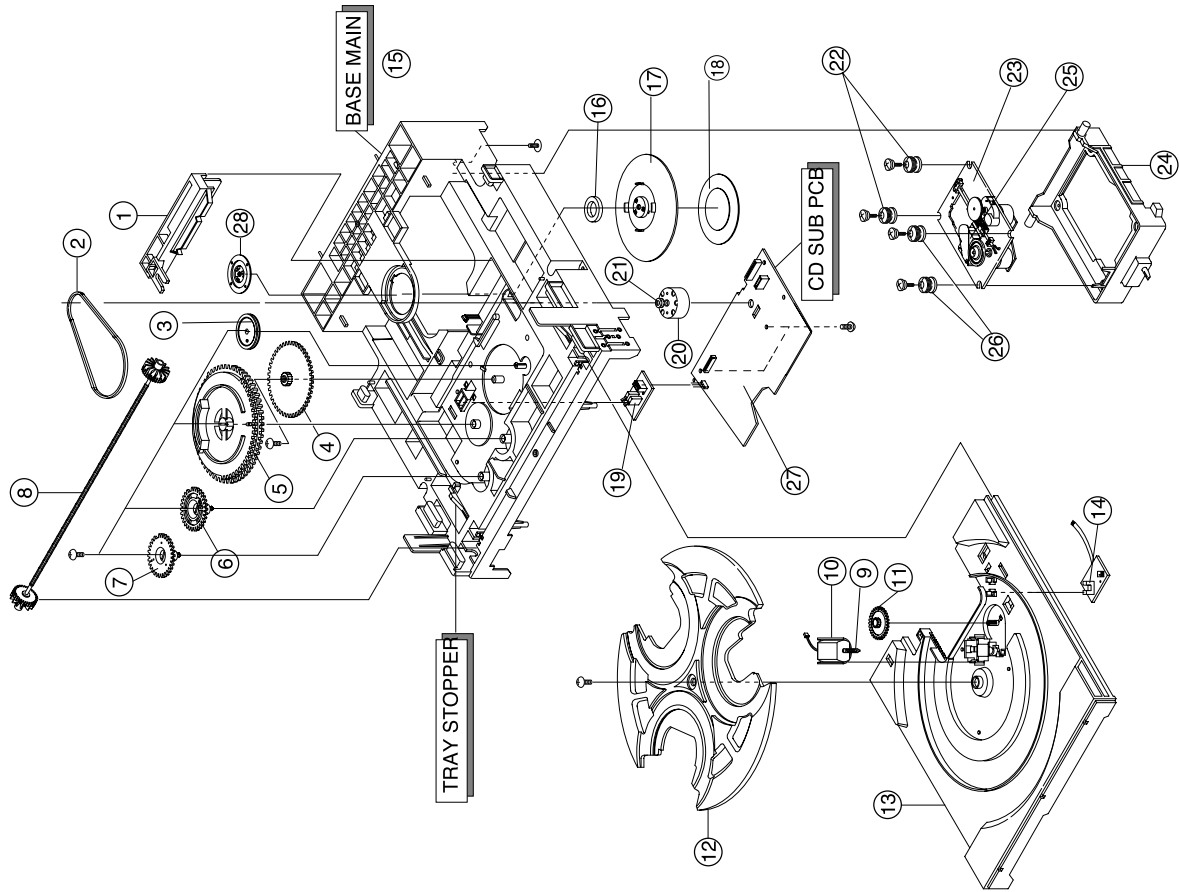
* Parts List of Total Exploded view

No.	Code No.	Description ; Specification	Q'ty	REMARK
1	AH64-01720B	CABINET-FRONT	1	NO MIC
	AH64-01720C	CABINET-FRONT	1	MIC,W/OUT ECHO
	AH64-01720D	CABINET-FRONT	2	MIC,W/ECHO---XFO
	AH64-01720E	CABINET-FRONT	2	MIC,W/ECHO
2	AH64-01720B	DOOR-CD	1	BASIC
	AH64-01722C	DOOR-CD	1	XFO
3	AH64-01725B	WINDOW-CD,DOOR	1	MAX-B550
	AH64-01725C	WINDOW-CD,DOOR	1	MAX-B570
	AH64-01725D	WINDOW-CD,DOOR	1	MAX-B555
	AH64-01725E	WINDOW-CD,DOOR	1	MAX-VB555
	AH64-01725F	WINDOW-CD,DOOR	1	MAX-ZB550
	AH64-01725K	WINDOW-CD,DOOR	1	RDS
4	AH64-01726B	WINDOW-VFD	1	NO RDS
	AH64-01726C	WINDOW-VFD	1	
	AH64-01727B	WINDOW-DOOR,A	1	
	AH64-01728B	WINDOW-DOOR,B	1	AUTO STOP
	AH64-01723B	DOOR-CASS,A	1	XFO
	AH64-01723C	DOOR-CASS,A	1	AUTO REVERSE
	AH64-01724C	DOOR-CASS,B	1	XFO
	AH61-00971A	HOLDER-CASS A	1	XFO
	AH61-00971B	HOLDER-CASS A	1	XFO
	AH61-00972A	HOLDER-CASS B	1	XFO
	AH61-00972B	HOLDER-CASS B	1	XFO
	AH64-01739B	KNOB-JOG	1	BASIC
	AH67-00164B	LENS-JOG	1	MAX-ZB550
	AH67-00164D	LENS-JOG	1	
	AH61-00976B	CAP-DUMMY	1	
	AH61-00975B	CAP-JOG	1	
	AH64-01732B	KNOB-DECK	1	
	AH64-01733B	KNOB-SEARCH	1	
	AH64-01736B	KNOB-VOLUME	1	
	AH64-01737B	KNOB-WOOFER	1	
	AH67-00163A	LENS-VOLUME	1	
	AH67-00165A	LENS-WOOFER	1	
	AH63-00396A	SHEET-VFD	1	PVC T0.5
	AH61-00552A	SPRING-EJECTA	1	STS 1.0
	AH61-00553A	SPRING-EJECTB	1	STS 1.0
	AH61-00974B	CAP-S.MODE	1	ABS L/GRAY
	AH61-00974C	CAP-S.MODE	1	ABS L/GRAY
	AH61-00974D	CAP-S.MODE	1	ABS D/GRAY
	AH64-01738B	KNOB-S.MODE	1	ABS NATURAL
	AH95-50001A	LATCH-ASS@Y	2	POM BLK
	AH61-80030A	DAMPER-GEAR	2	POM BLK
	AH64-01734B	KNOB-ENTER	1	ABS L/GRAY
	AH67-00162B	LENS-P/SOUND	1	PMMA ORANGE
	AH61-00981A	HOLDER-P SOUND	1	ABS L/GRAY
	AH64-01729B	KNOB-OPEN	1	ABS L/GRAY
	AH67-00161B	LENS-FUNCTION	1	PMMA BLUE
	AH61-00979A	HOLDER-FUNCTION	1	PC+ABS WHITE
	AH64-01730B	KNOB-TIMER	1	ABS L/GRAY
	AH64-01731B	KNOB-POWER	1	ABS L/GRAY
	AH67-00166A	LENS-POWER	1	PMMA MILKY
	AH64-70003K	BADGE-BRAND	1	ABS 94HB, SILVER
	AH61-00521A	HOLDER-VFD	1	ABS BLACK
	AH64-00900A	CABINET-SIDE L	1	MIPS 94HB
	AH64-00901A	CABINET-SIDE R	1	MIPS 94HB
	AH64-30443F	CABINET-TOP	1	MIPS 94HB
	AH64-30416E	CABINET-BOTTOM	1	SECC T0.8
	AH61-00973A	BRKT-H SINK L	1	SECC T1.0
	AH61-00977A	BRKT-H SINK R	1	SECC T1.0
	AH62-00063B	HEAT-SINK M	1	AL EXTR
	AH64-01721A	CABINET-REAR	1	MIPS GRAY
	AH64-01721B	CABINET-REAR	1	MIPS GRAY
	AH61-01036A	COVER-REAR	1	ABS L/GRAY
	AH61-00685A	BRKT-PCB	1	SECC T0.8
	AH62-00044A	HEAT-SINK IC	1	AL T3.0
	AH61-00021B	SUPPORT-PCB	1	ABS BLK
	AH61-40014A	SUPPORT-RIVET	3	ABS ASSY
	AH63-00278A	COVER-PCB	1	PVC T0.5
	AH65-30010A	CLAMP-WIRE	2	DALB-2
	AH61-00413B	BRKT-DECK	1	SPT E T0.4
	AH64-01735B	KNOB-ECHO	1	ABS L/GRAY
	AH64-01715B	KNOB-MIC VOL	1	ABS L/GRAY

DIGITAL OUT

OPTION
OPTION

2-3 CD Deck Exploded View and Parts list

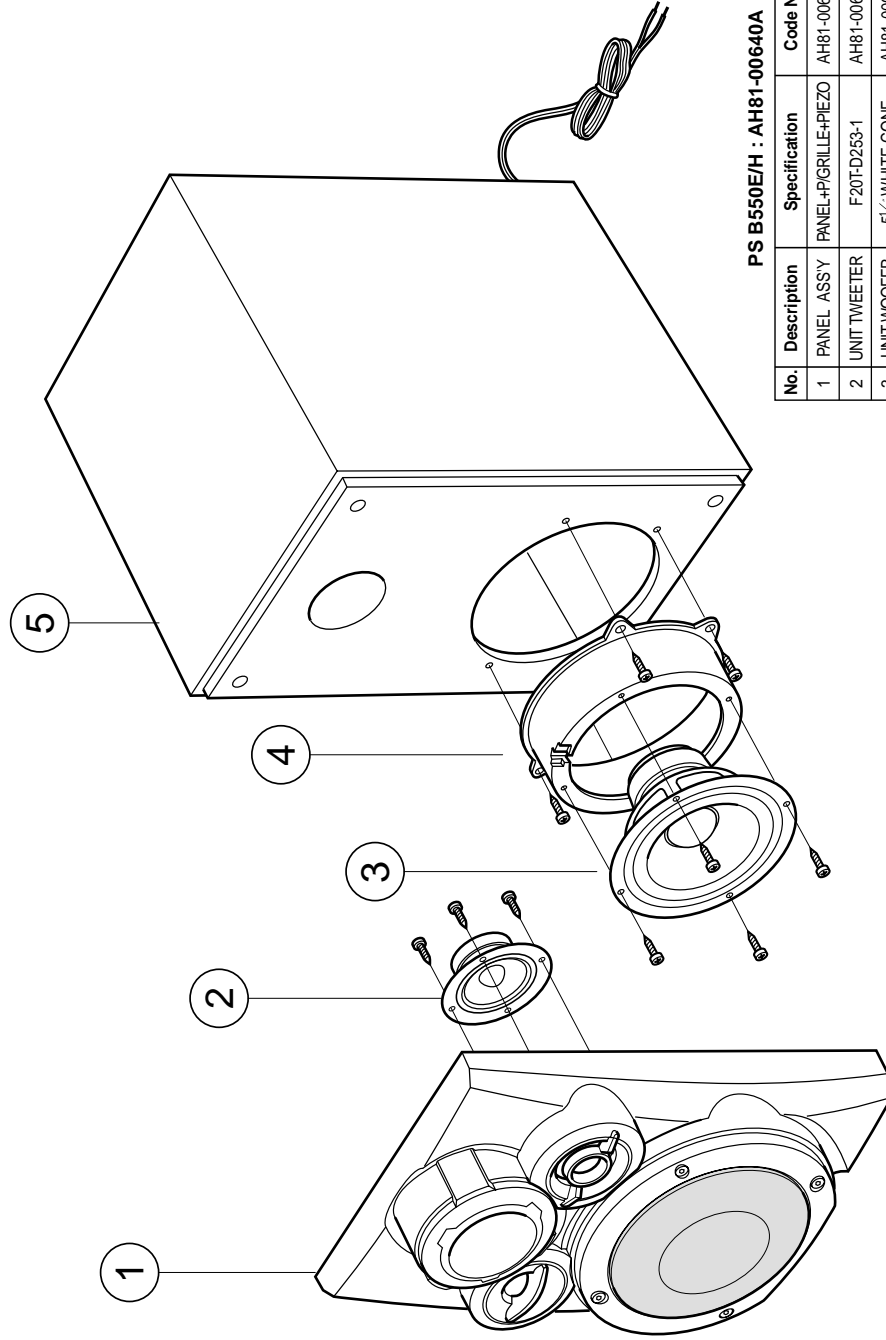


No.	Code No.	Description	Specification	Remarks
1	CMS300-V	ASSY-DECK	CMS-300	
2	AH66-80022A	SLIDER-CAM	ABS HF-380 NTR	
3	AH66-60034A	BELT-LOAD	CR	
4	AH66-20186A	GEAR-PULLEY	POM (M90-44) WHT	
5	AH66-20187A	GEAR-LOAD	POM (M90-44) BLK	
6	AH66-20188B	GEAR-CAM	POM (M90-44) WHT	
7	AH66-20189B	GEAR-TRAY	POM (M90-44) BLK	
8	AH66-20190B	GEAR-CONVERT	POM (M90-44) WHT	
9	AH66-20191A	GEAR-SYNCRO	ABS HF-380 NTR	
10	AH66-20192A	GEAR-WORM	POM(M90-44),M0.5,PCD4.5	
11	AH31-12001A	MOTOR-LOADING	FF-030PN-09120	
12	AH66-20193A	GEAR-ROULLETE	POM(M90-44) BLK	
13	AH63-00324A	TRAY-ROULLETE	ABS XR-401 BLK	
14	AH63-00325A	TRAY-DISC	ABS BLK	
15	AH32-10001F	SENSOR	KPI-L06	
16	AH61-00837A	BASE-MAIN	ABS,NATURAL,CMS-300	
17	3302-000159	MAGNET	AC,3500-3800G,2.6-3.2MGOe,30	
18	AH63-90053A	TABLE-CHUCK	,ABS,+GF20%,BLK,	
19	AH63-00068B	SHEET-CHUCK	SHEET,HYMERON,BLK,0.4T	
20	3405-000101	SWITCH -MICRO	MLS-24	
21	AH31-10021A	MOTOR-DC	RF-500TB,9VDC/130MA	
22	AH66-10008A	PULLEY-MOTOR	POM,BLK,CMS-CR3	
23	AH73-10031A	RUBBER-CD(R)	SI,CMS-300,40,RED	
24	AH91-60150C	CDP DECK ASSY	CMS-D73SG6U	
25	AH66-30098A	LEVER-LIFTER	ABS BLK CMS-300	
26	AH30-00007A	PICK-UP	SOH-AD3	
27	AH73-10034A	RUBBER-CD(G)	SI,CMS-300,40,GREEN	
28	AH92-00922A	ASSY PCB CD MAIN	SECL 0.8t	

2-4 SPEAKER Exploded View and Parts list

2-4-1 MAXB550/MAXZB550

* CAUTION : It is used the bonding, connect NET FRAME(or FRONT PANEL ASS'Y) to CABINET ASS'Y.
So when the disassembly, take extreme care not to damage the SPEAKER.

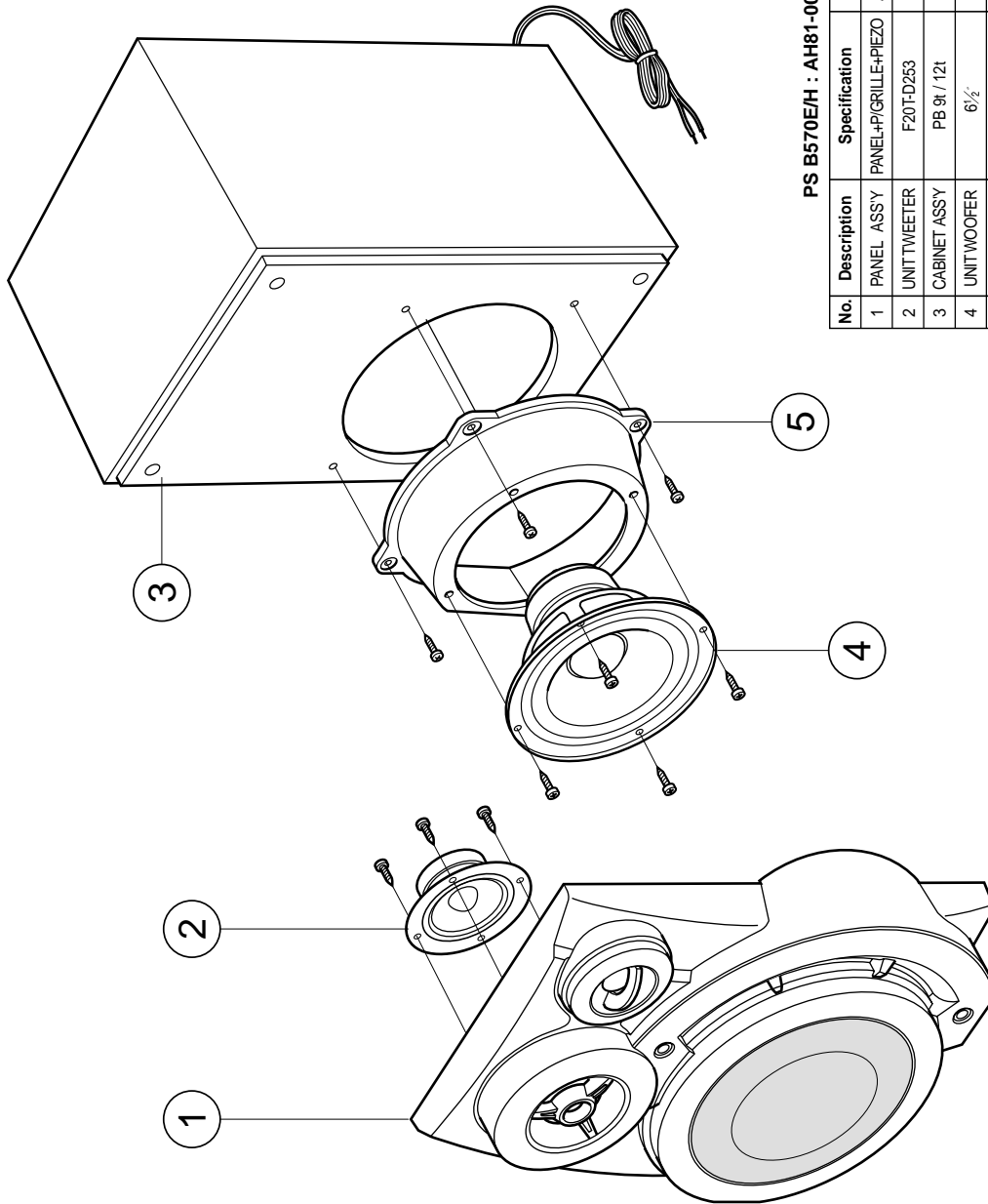


PS B550E/H : AH81-00640A

No.	Description	Specification	Code No.	Q'TY
1	PANEL ASSY	PANEL+P/GRILLE+PIEZO	AH81-00640Q	1
2	UNIT TWEETER	F20TD253-1	AH81-00609R	1
3	UNIT WOOFER	5/4 WHITE CONE	AH81-00640J	1
4	WOOFER RING	HIPS BLK	AH81-00640E	1
5	CABINET ASSY	PB 91/121	AH81-00640G	1

2-4-2 MAXB570

* CAUTION : It is used the bonding, connect NET FRAME(or FRONT PANEL ASS'Y) to CABINET ASS'Y.
So when the disassembly, take extreme care not to damage the SPEAKER.

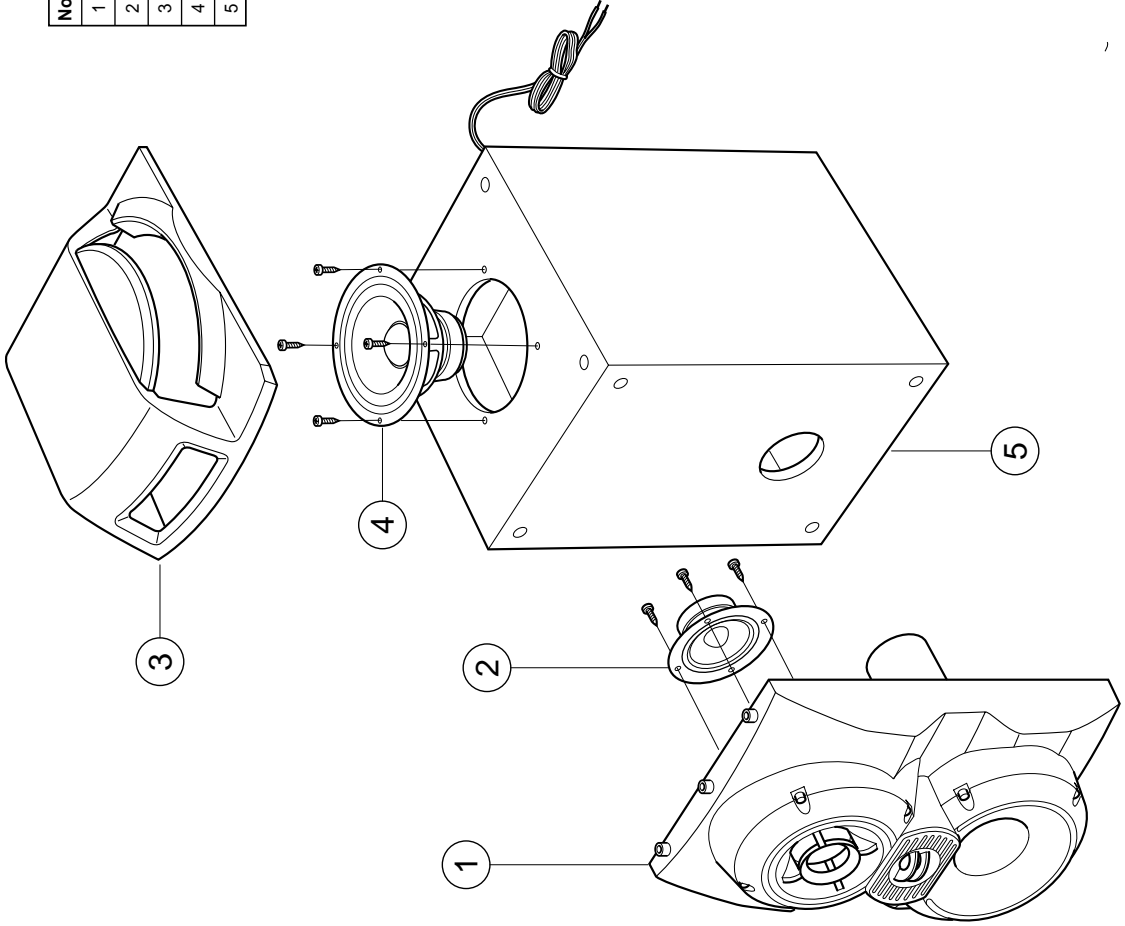


PS B570E/H : AH81-00637A

No.	Description	Specification	Code No.	Q'TY
1	PANEL ASSY	PANEL+PI/GRILLE+PIEZO	AH81-00637M	1
2	UNIT TWEETER	F20T-D253	AH81-00609Q	1
3	CABINET ASSY	PB 9t / 12t	AH81-00637G	1
4	UNIT WOOFER	6 1/2"	AH81-00637J	1
5	WOOFER RING	HIPS BLK	AH81-00637E	1

2-4-3 MAXB555

* CAUTION : It is used the bonding, connect NET FRAME(or FRONT PANEL ASS'Y) to CABINET ASS'Y.
So when the disassembly, take extreme care not to damage the SPEAKER.



PS B555E/H : AH81-00643R

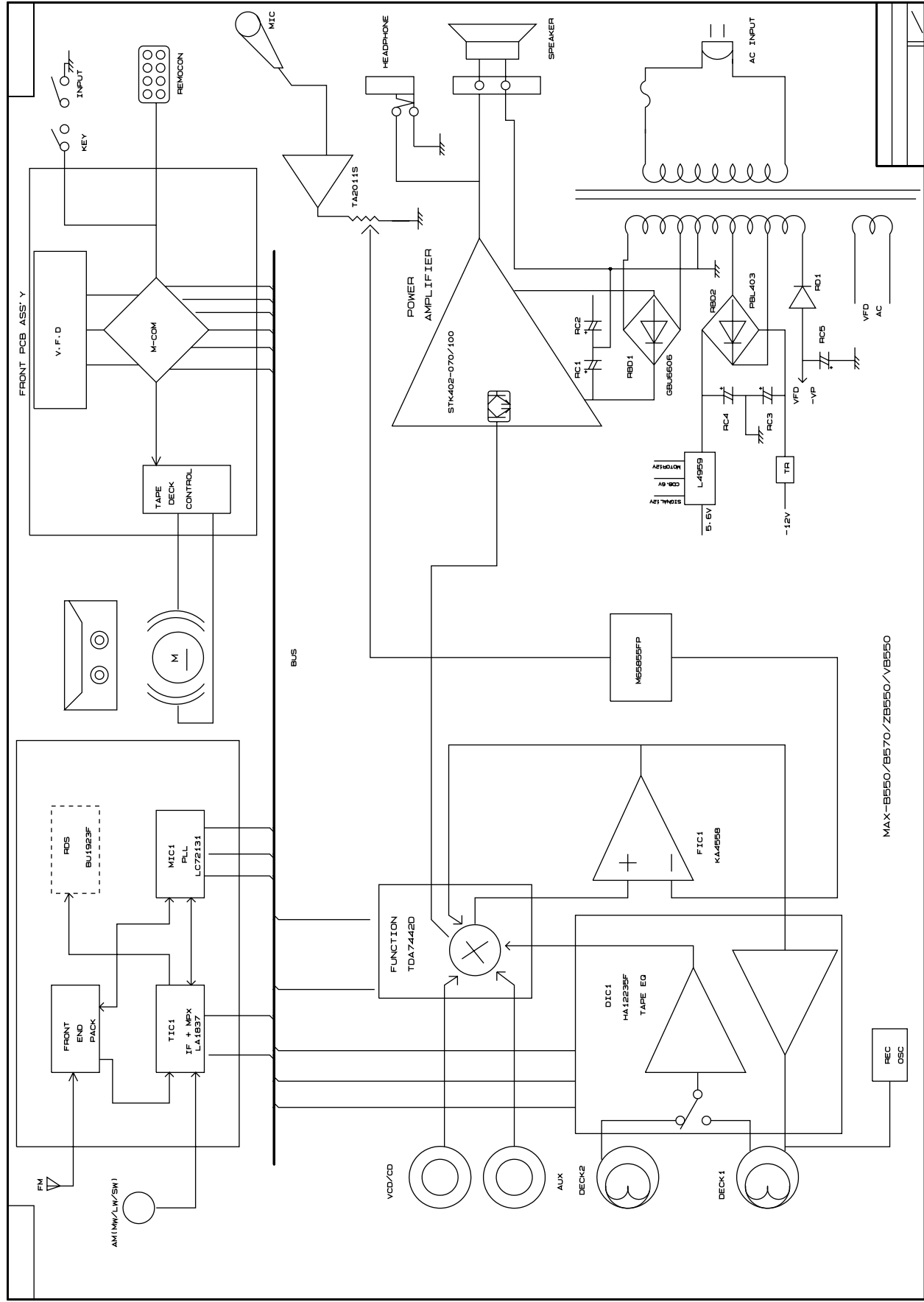
No.	Description	Specification	Code No.	Q'TY
1	PANEL ASSY	PANEL+PIEZO	AH81-00643P	1
2	UNIT TWEETER	2"	AH81-00643L	1
3	TOP PANEL ASSY	T/PANEL + REFLECTOR	AH81-00643Q	1
4	UNIT WOOFER	5 1/4"	AH81-00643S	1
5	CABINET ASSY	PB 9t / 12t	AH81-00643T	1

Location no	Code no.	Description	Specification	Remarks
AR31	2001-000508	R-CARBON:220Kohm,5%,1/8W,AA,TP,1.8x3.2m		
AR25	2001-000515	R-CARBON:220ohm,5%,1/8W,AA,TP,1.8x3.2mm		
AR8R	2001-000591	R-CARBON:3.3Kohm,5%,1/8W,AA,TP,1.8x3.2m		
AR8L	2001-000591	R-CARBON:3.3Kohm,5%,1/8W,AA,TP,1.8x3.2m		
AR33	2001-000591	R-CARBON:3.3Kohm,5%,1/8W,AA,TP,1.8x3.2m		
AR76L	2001-000591	R-CARBON:3.3Kohm,5%,1/8W,AA,TP,1.8x3.2m		
AR32	2001-000591	R-CARBON:3.3Kohm,5%,1/8W,AA,TP,1.8x3.2m		
AR20	2001-000591	R-CARBON:3.3Kohm,5%,1/8W,AA,TP,1.8x3.2m		
AR76R	2001-000591	R-CARBON:3.3Kohm,5%,1/8W,AA,TP,1.8x3.2m		
AR23	2001-000660	R-CARBON:33Kohm,5%,1/8W,AA,TP,1.8x3.2mm		
AR29	2001-000702	R-CARBON:39Kohm,5%,1/8W,AA,TP,1.8x3.2mm		
AR310	2001-000786	R-CARBON:47Kohm,5%,1/8W,AA,TP,1.8x3.2mm		
AR309	2001-000786	R-CARBON:47Kohm,5%,1/8W,AA,TP,1.8x3.2mm		
AR56R	2001-000864	R-CARBON:56Kohm,5%,1/8W,AA,TP,1.8x3.2mm		
AR3R	2001-000864	R-CARBON:56Kohm,5%,1/8W,AA,TP,1.8x3.2mm		
AR56L	2001-000864	R-CARBON:56Kohm,5%,1/8W,AA,TP,1.8x3.2mm		
AR3L	2001-000864	R-CARBON:56Kohm,5%,1/8W,AA,TP,1.8x3.2mm		
AR30	2001-000864	R-CARBON:56Kohm,5%,1/8W,AA,TP,1.8x3.2mm		
AR404	2001-001070	R-CARBON(S):120ohm,5%,1/2W,AA,TP,2.4x6.4		
AR403	2001-001070	R-CARBON(S):120ohm,5%,1/2W,AA,TP,2.4x6.4		
AR78	2003-000008	R-METAL OXIDE(S):100ohm,5%,1W,AA,TP,3.3x		
AR13	2003-000008	R-METAL OXIDE(S):100ohm,5%,1W,AA,TP,3.3x		
AR15R	2003-000689	R-METAL OXIDE(S):4.7ohm,5%,1W,AA,TP,3.3x		
AR15L	2003-000689	R-METAL OXIDE(S):4.7ohm,5%,1W,AA,TP,3.3x		
AC1L	2201-000368	C-CERAMIC,DISC:220pF,10%,50V,SL,TP,6.5x3		
AC1R	2201-000368	C-CERAMIC,DISC:220pF,10%,50V,SL,TP,6.5x3		
ACSC1	2201-000368	C-CERAMIC,DISC:220pF,10%,50V,SL,TP,6.5x3		
ACE2	2201-000381	C-CERAMIC,DISC:22nF,+80%,50V,-,8x4mm,-		
AC17R	2201-000532	C-CERAMIC,DISC:4.7nF,10%,50V,Y5P,TP,8x3.		
AC17L	2201-000532	C-CERAMIC,DISC:4.7nF,10%,50V,Y5P,TP,8x3.		
AC16R	2201-000783	C-CERAMIC,DISC:100nF,+80-20%,50V,Y5V,TP,		
AC16L	2201-000783	C-CERAMIC,DISC:100nF,+80-20%,50V,Y5V,TP,		
AC5R	2201-000838	C-CERAMIC,DISC:3pF0.3pF,50V,CH,TP,5x3.5		
AC5L	2201-000838	C-CERAMIC,DISC:3pF0.3pF,50V,CH,TP,5x3.5		
AC15L	2301-000375	C-FILM,PEF:100nF,5%,50V,TP,11x12.5x6.5,7		
AC15R	2301-000375	C-FILM,PEF:100nF,5%,50V,TP,11x12.5x6.5,7		
AC18R	2301-000404	C-FILM,PEF:2.2nF,10%,50V,TP,5.5x12x3mm,-		
AC18L	2301-000404	C-FILM,PEF:2.2nF,10%,50V,TP,5.5x12x3mm,-		
AC2L	2401-000230	C-AL:100uF,20%,100V,GP,TP,12.5x20mm		
AC2R	2401-000230	C-AL:100uF,20%,100V,GP,TP,12.5x20mm		
AC301	2401-000230	C-AL:100uF,20%,100V,GP,TP,12.5x20mm		
AC302	2401-000230	C-AL:100uF,20%,100V,GP,TP,12.5x20mm		
AC3R	2401-000385	C-AL:10uF,20%,100V,GP,TP,6.3x11,5		
AC6L	2401-000385	C-AL:10uF,20%,100V,GP,TP,6.3x11,5		
AC4R	2401-001154	C-AL:33uF,20%,10V,GP,-,5x11,2mm		
AC4L	2401-001154	C-AL:33uF,20%,10V,GP,-,5x11,2mm		
AC21	2401-001912	C-AL:1uF,20%,50V,GPBK,5x11mm,2mm		
AC22	2401-001912	C-AL:1uF,20%,50V,GPBK,5x11mm,2mm		
AC23	2401-001912	C-AL:1uF,20%,50V,GPBK,5x11mm,2mm		
AH41-004338		PCB:MAX-B550/570/VB555,-,-,-,247		

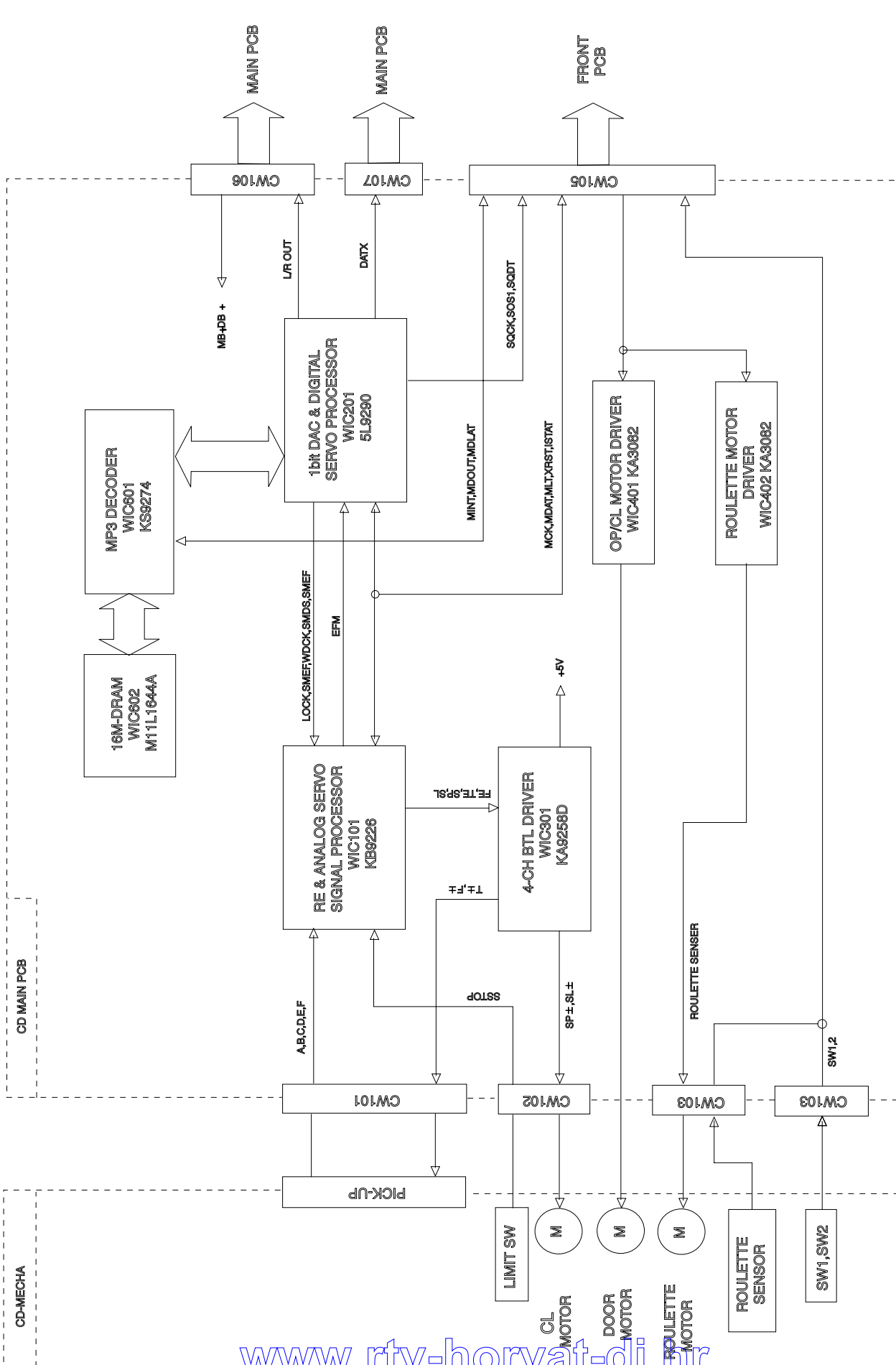
Location no	Code no.	Description	Specification	Remarks
-------------	----------	-------------	---------------	---------

Block Diagram

AIN

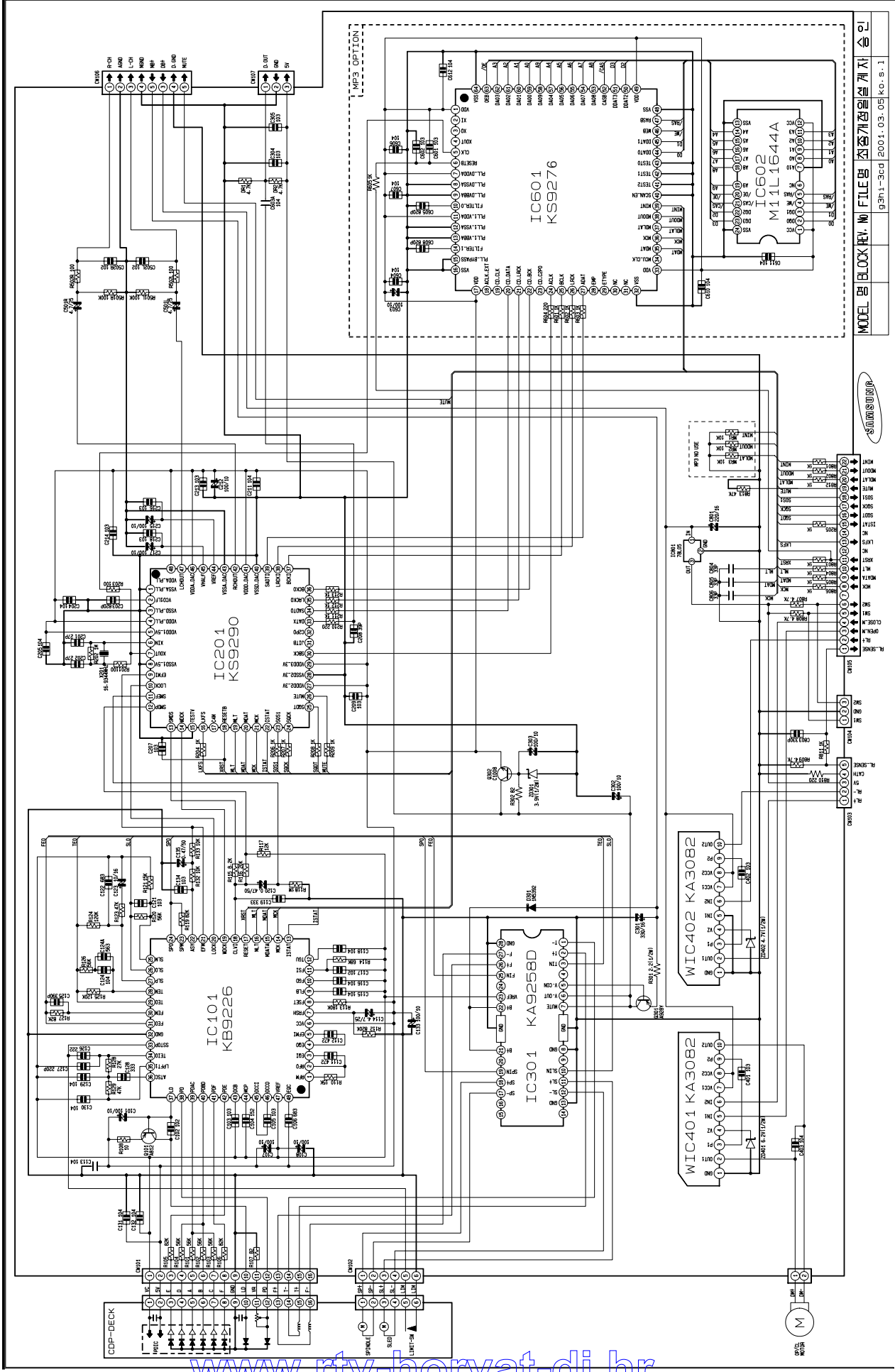


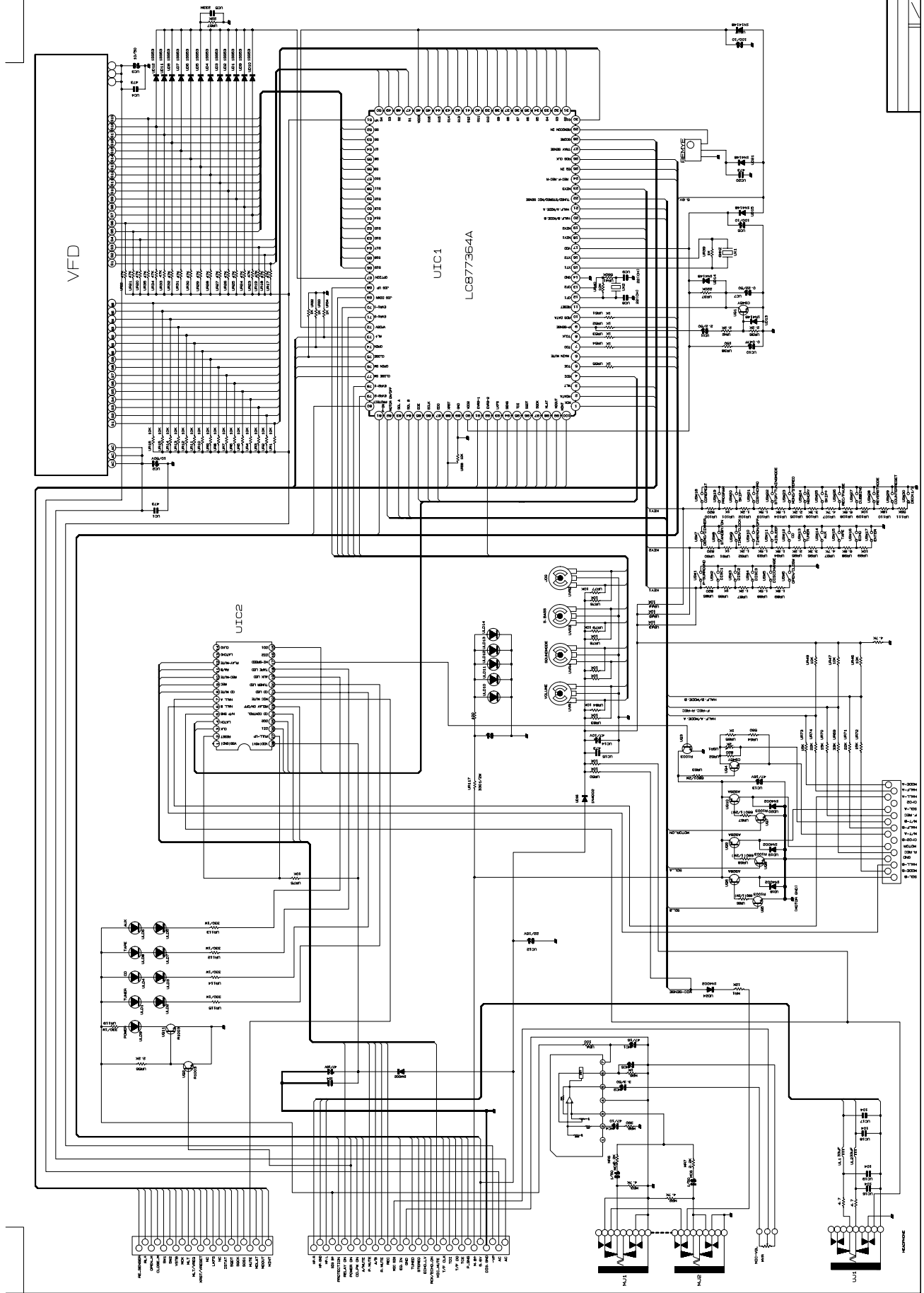
MAX-B550/B570/ZB550/VB550

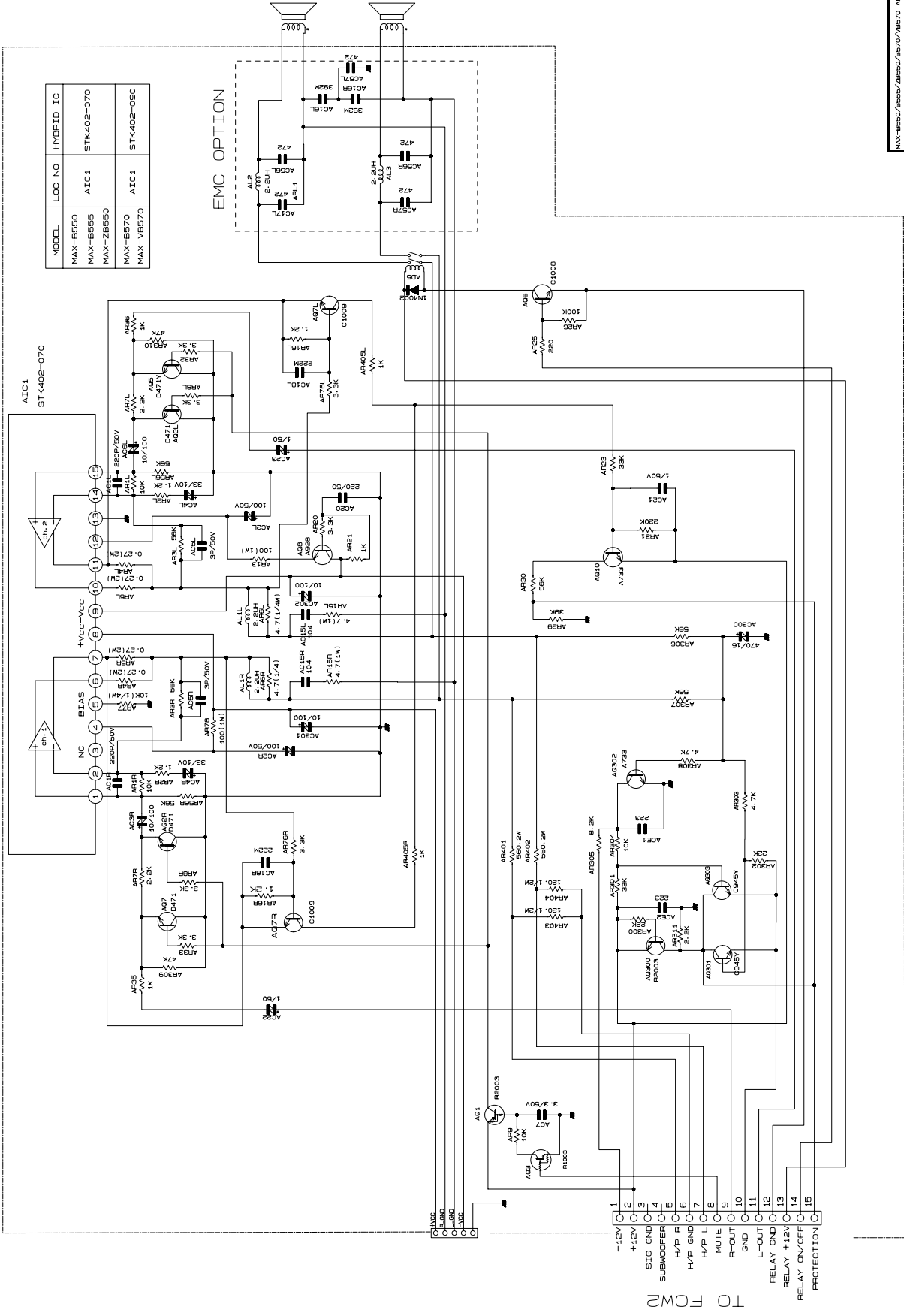


7. Schematic Diagram

7-1 CD/MP3 Parts







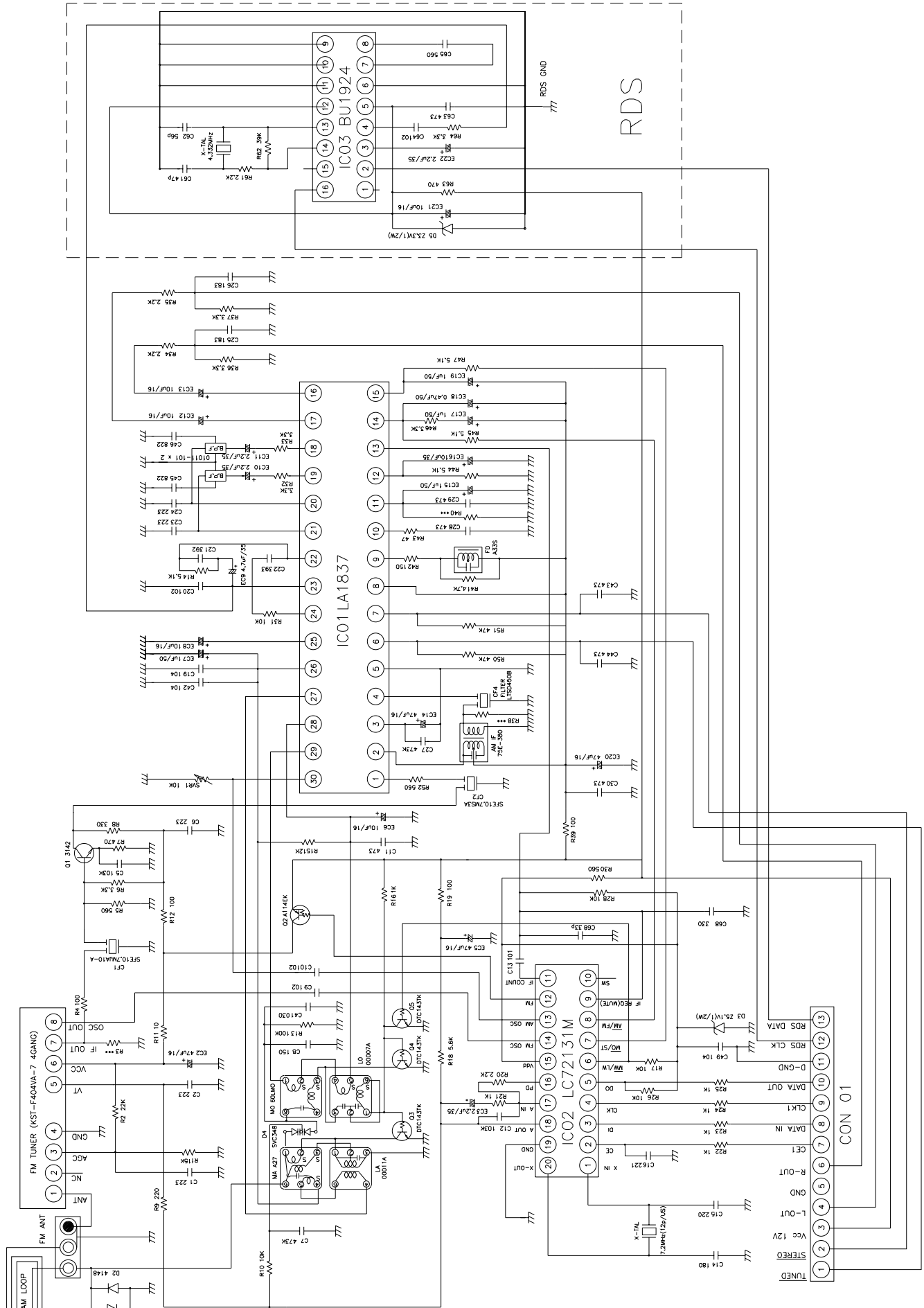
MODEL	LOC NO	HYBRID IC
MAX-B550	AIC1	STK402-070
MAX-B555	AIC1	STK402-070
MAX-ZB550	AIC1	STK402-070
MAX-B570	AIC1	STK402-070
MAX-VB570	AIC1	STK402-070

EMC OPTION

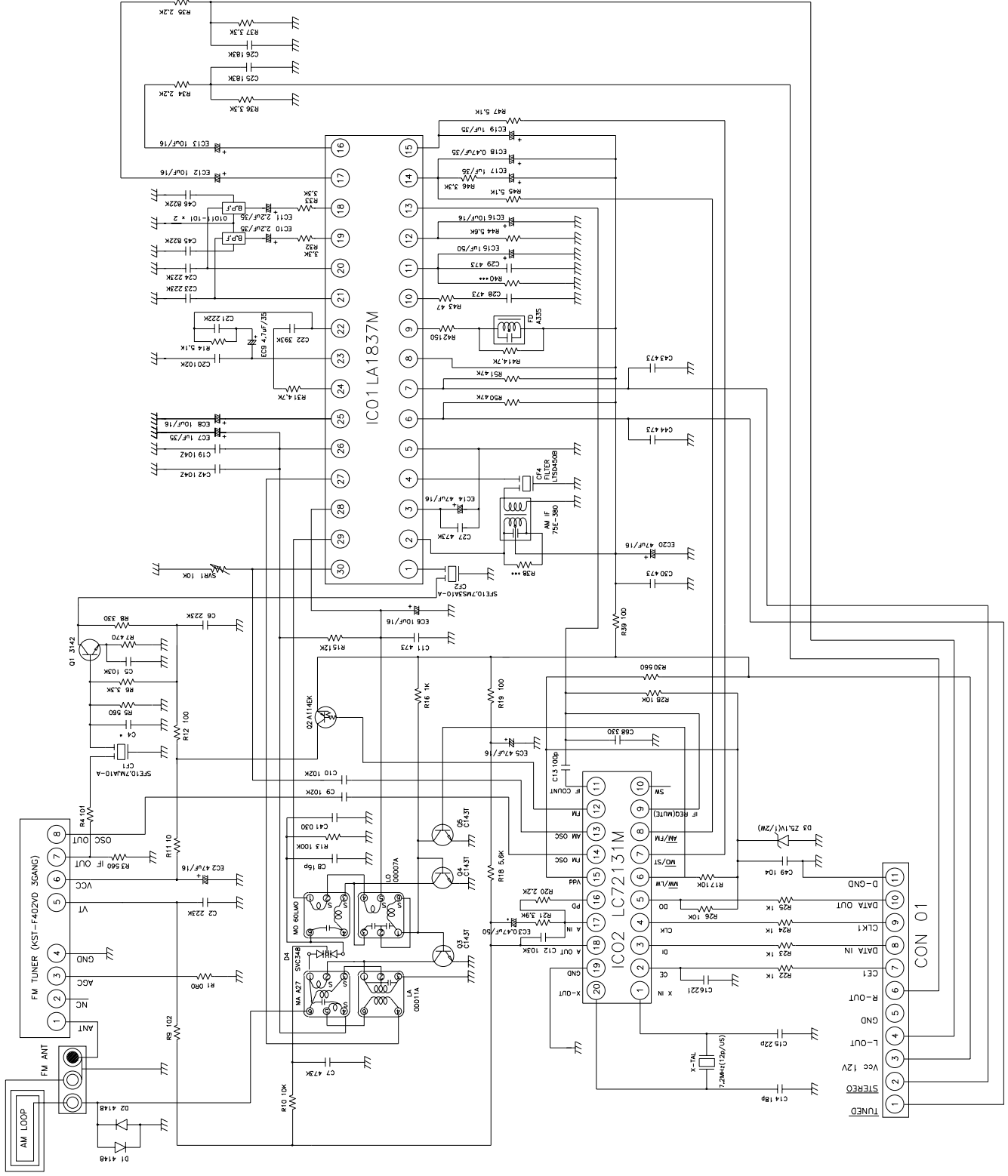
MAX-B550/B555/ZB550/B570/VB570 AMP

09 15

7-5 TUNER(EURO)



7-6 TUNER(RUSIA)



7-7 TUNER(2BAND)

